



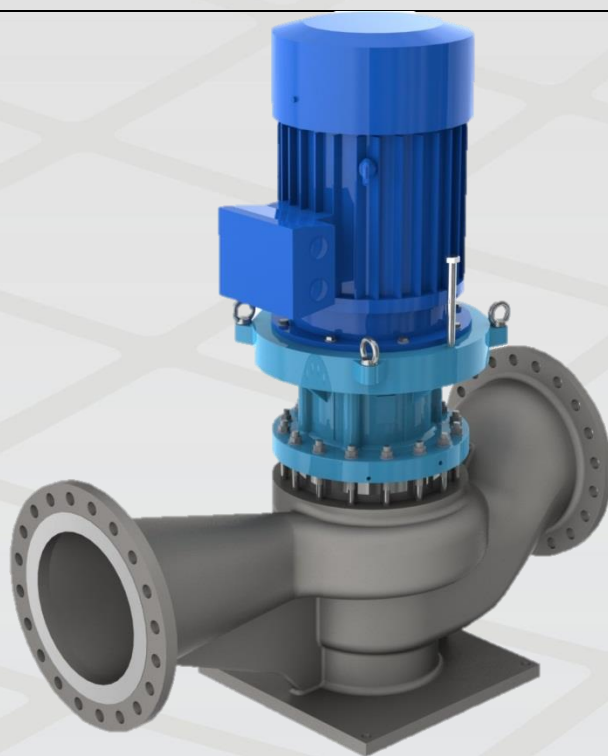
*Setting Innovative  
Standards*

**M PUMPS SRL**  
Via dell'artigianato, 120  
45015 Corbola (RO) – Italia  
Tel. +39 0426 346304 Fax + 39 0426 349126 1  
info@mpumps.it

**MAGNETIC DRIVE PUMPS**  
**API 685 Standard,**  
**OH5 vertical centrifugal, metallic pumps**  
**• CN MAG-MV series**

*User Manual*

*This copy of the manual is a translation of the italian version  
and both manuals must be always furnished together*



**CAUTION**

These instructions are intended for operators:  
- Pump installation by qualified personnel;  
- Use the pump, by staff  
- Carry out maintenance / repair of the pump.  
Read this instruction manual before using the pump.



---

This INSTRUCTION MANUAL is intended to guide those responsible for the installation, operation and maintenance of *M PUMPS* CN MAG-MV series seal-less magnetic drive pumps. Please read it carefully, before you install and operate your *M PUMPS* pump. Useful information can also be obtained from: - Hydraulic Institute Standards (USA) regarding pump installation.

## CONTENTS

<b>GENERAL WARNINGS AND SAFETY</b> .....	<b>4</b>
Symbols used in the manual .....	4
<b>WARRANTY</b> .....	<b>4</b>
<b>NAMEPLATE</b> .....	<b>5</b>
<b>PUMP DESCRIPTION AND OPERATING PRINCIPLE OF CENTRIFUGAL PUMPS</b> .....	<b>7</b>
Applications .....	7
<b>TECHNICAL DATA</b> .....	<b>7</b>
<b>ALLOWABLE NOZZLE LOADS</b> .....	<b>8</b>
<b>NOISE AND VIBRATION</b> .....	<b>10</b>
<b>RADIATION IONISING</b> .....	<b>10</b>
<b>CHECKS TO PUMP DELIVERY, STORAGE</b> .....	<b>10</b>
<b>SHIPPING AND HANDLING</b> .....	<b>10</b>
<b>ASSEMBLY, INSTALLATION, CONNECTIONS, COMMISSIONING AND SETTING</b> .....	<b>11</b>
Assembly .....	11
Connection of the pump to suction and discharge pipes .....	11
Checks for the proper operation .....	12
Commissioning and operator training .....	13
Self-priming pumps and non self-priming pumps .....	13
Coupling of the pump to the motor .....	13
Features and installation of pump and motor assembly .....	13
Alignment of the coupling .....	14
Alignment tolerances and coupling .....	14
<b>INTENDED USE OF THE PUMP. IMPROPER USE. DESCRIPTION OF FUNCTIONING. PERSONAL PROTECTIVE EQUIPMENT DURING USE</b> .....	<b>14</b>
Intended use of the pump .....	14
Instructions for proper use reasonably foreseeable .....	14
Not permitted use .....	15
<b>RESIDUAL RISKS AND PROTECTION MEASURES TO BE TAKEN</b> .....	<b>15</b>
Description of the residual risks that remain .....	15
Protection measures to be taken by the user and instructions .....	15
Personal protective equipment to wear .....	16
<b>OPERATIONAL LIMITS, DESCRIPTION OF HAZARDS NOT EXCLUDED FROM THE SECURITY MEASURES TAKEN</b> .....	<b>16</b>
Safety information present on the pump .....	16
<b>INSTRUCTIONS AND PROCEDURES FOR THE TRAINING OF THE PERSONNEL AND FOR EMERGENCIES</b> .....	<b>17</b>
Recovery mode .....	17
Fire-fighting equipment to be used: .....	17
Emission / dispersion of harmful substances .....	17
<b>MALFUNCTIONING, FAILURE, BREAKDOWN, ACCIDENT. MOST FREQUENT PROBLEMS: CAUSES AND REMEDIES</b> .....	<b>17</b>
Malfunctioning and Failure .....	17
Breakdown .....	17
Accident .....	17
Most frequent drawbacks: problems, causes, remedies, residual risks .....	18
<b>PERIODIC AND EXTRAORDINARY MAINTENANCE</b> .....	<b>20</b>
Cleaning components and magnet .....	20
Periodic preventive maintenance .....	21
Emptying of the fluid contained in the pump .....	21
Draining the oil contained in the pump .....	22
Extraordinary maintenance .....	22
<b>REPAIR AND PARTS REPLACEMENT</b> .....	<b>22</b>
The periodic maintenance specified in the " PERIODIC AND EXTRAORDINARY MAINTENANCE " .....	22
Pump disassembling .....	22
Pump reassembling .....	23
<b>DECOMMISSIONING, DISMANTLING AND DISPOSAL OF MATERIALS</b> .....	<b>23</b>
Decommissioning .....	23
Demolition and dismantling .....	23
<b>EXPLODED VIEW PART LIST</b> .....	<b>23</b>
<b>NOTES</b> .....	<b>24</b>
<b>APPENDIX A – Register of maintenance and periodic checks of the pump</b> .....	<b>25</b>
<b>APPENDIX B – Startup check list</b> .....	<b>26</b>

## GENERAL WARNINGS AND SAFETY

This manual was prepared by *M PUMPS* pump to provide the buyer all necessary informations for its proper use and regular maintenance. In this manual is also contained the manual of the electric motor when the pump is supplied with this.

For safety and hygiene of the workplace and to ensure a fair and sustainable use of the pump, the manual should be kept for any consultation.

**As part of the pump, this manual must go with it.**

For any given non-deductible or not included in this manual is recommended that you contact *M PUMPS*.

**Do not use the pump before you have read and assimilated all safety rules and instructions in this manual.**

In case of damage or loss of the manual, ask for a copy to *M PUMPS* promptly.

The failure to follow instructions in this manual, exempt *M PUMPS* from any liability.

The pump and the instructions are intended for operators who make professional use and should be used by qualified personnel adequately trained, aware of uses, operation and risk that the pump generates during its use, the user with experience is the best form of qualification.

*M PUMPS* reserves at any time the right to make changes deemed necessary to improve the pump, taking care to update this manual as soon as possible. This reflects the state of the art at the marketing pump. In case of transfer of the pump, the user is encouraged to report to *M PUMPS* the address of the new owner to facilitate the transmission of any additions to the manual to the new user. *M PUMPS* reserves all rights to this manual, no total or partial reproduction is allowed without written permission.

### Symbols used in the manual

In the text to indicate the risk of maneuvers or possible dangerous situations, warnings have been included, each of which consists of a symbol followed by a warning.

#### **MAGNETIC**



Persistence of a magnetic field. This field may represent an immediate danger to individuals who have electronic medical devices, metal heart valves, metal or any other metal objects, impairing its functionality.

*M PUMPS* declines any responsibility for any damages to people who did not keep a safe distance of at least 1metre, where it is shown that symbol

#### **DANGER**



Indicates a potential risk to operators who are using the pump and / or the integrity of the pump, which could result in damaging itself and / or serious injury to people concerned.

#### **CAUTION**



Calls attention to important details that the staff must know and keep in mind for the proper use and operation of the pump.

#### **PROHIBITION**



Calls attention to transactions that are absolutely prohibited, not respecting the prohibition you may damage the pump and / or operators.

*M PUMPS* declines responsibility for damages to things or people for not having complied with the prohibitions set.

## WARRANTY

Valid for one year from the date of the pump sale. *M PUMPS* do not assume any liability for any warranties explicit or implied, nor as regards the possibility to sell or the suitability of the items supplied.



The warranty will not be applied if:

- the repair and / or maintenance was not carried out strictly in accordance with the instructions;
  - the pump has not been installed and put into service as instructed;
  - the repairs were not made by staff *M PUMPS* or were made without consulting *M PUMPS*;
  - spare parts are not original were used;
  - lubricants were used different from those recommended;
  - the parts supplied were not used according to their nature and / or destination;
  - the parts supplied were used carelessly, negligently, improperly;
  - the parts supplied were damaged due to external circumstances.
- All wear parts are excluded from warranty.


## NAMEPLATE

The pump for installation in ordinary environments has the nameplate on the side of the support as shown: only the fields are compiled must be considered relevant and therefore valid for identification.

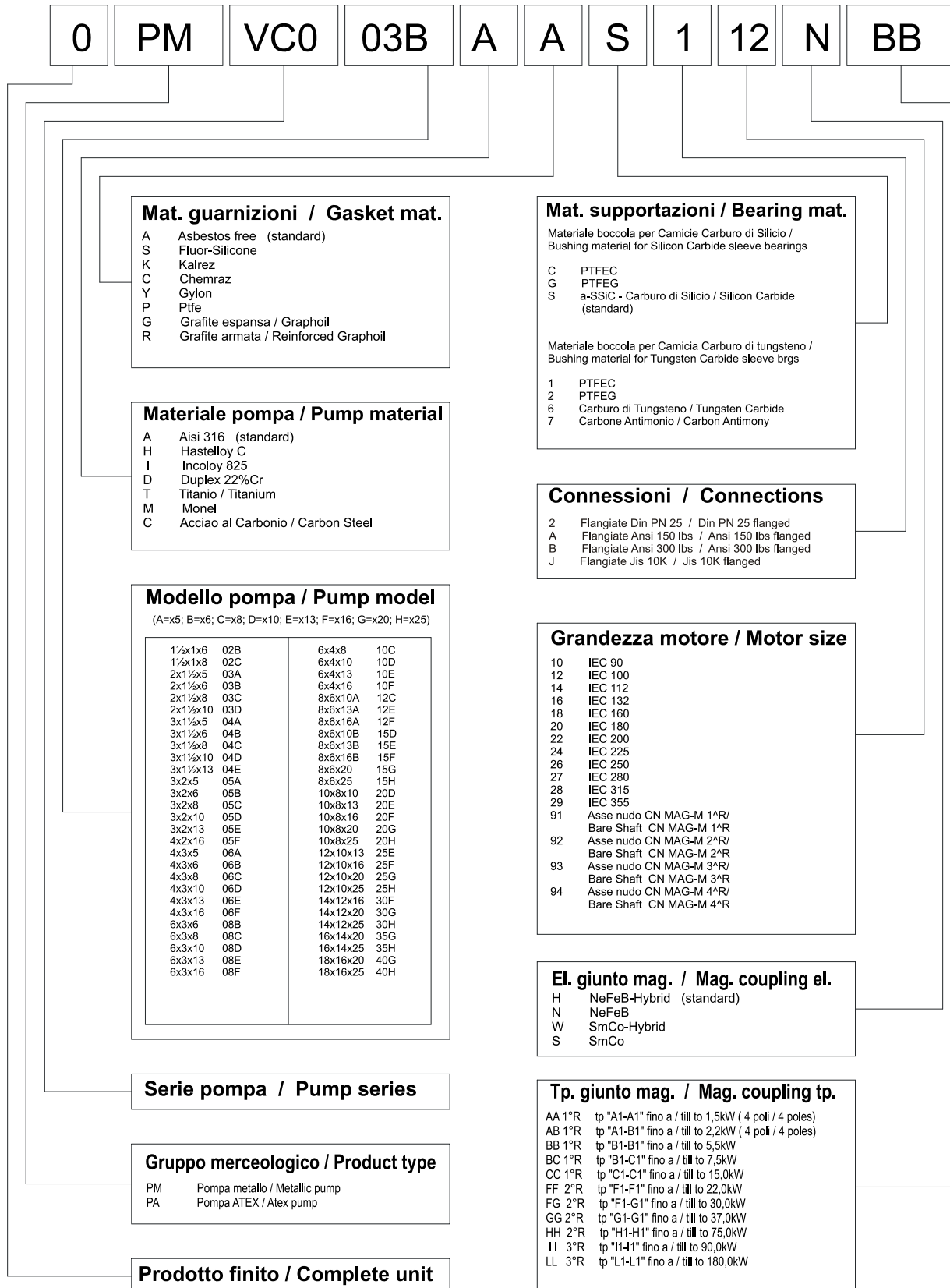
### -PUMP UNIT SUPPLIED WITH ELECTRICAL MOTOR:

		<b>M PUMPS SRL</b> Via dell'artigianato, 120 45015 Corbola (RO) – Italia Tel. +39 0426 346304 Fax + 39 0426 349126 www.mpumps.it info@mpumps.it			
		MOD.:	_____		S.Nr.:
Q.:	_____ (mc/h)	H _____	(m)	Year:	_____
Mot.:	_____ rpm	P _____	(kW)	Item Nr.:	_____
Impeller D.:	_____				

### -PUMP UNIT SUPPLIED WITHOUT ELECTRICAL MOTOR:

		<b>M PUMPS SRL</b> Via dell'artigianato, 120 45015 Corbola (RO) – Italia Tel. +39 0426 346304 Fax + 39 0426 349126 www.mpumps.it info@mpumps.it			
		MOD.:	_____	S.Nr.:	_____
Q.:	_____ (mc/h)	H _____	(m)	Year:	_____
Mot.:	_____ rpm	P _____	(kW)	Item Nr.:	_____
Impeller D.:	_____				

The serial number of the pump, here called serial number (s.nr) defines the type of components installed in the pump:



**This configuration for complete unit only**

## PUMP DESCRIPTION AND OPERATING PRINCIPLE OF CENTRIFUGAL PUMPS

Key feature of magnetic drive pumps is that the fluid that have to be moved never comes into direct contact with engine parts, ensuring the physical separation between the motor and the pump and the transmission is delivered via a coaxial magnetic coupling.

The pump consists of a part (outer rotor) that is coupled to an electric motor through elastic coupling (bare shaft version) or directly (monoblock) and a part (internal rotor integral with the pump impeller) that allows the pumping fluid. The outer rotor is composed of a series of magnetic elements with features and size variations to the torque to be transmitted. The inner and outer rotor magnets are a magnetic circuit, characterized by pairs of polar opposites, overlooked. At the start of the electric motor the outer rotor rotating drives synchronously the internal rotor, thus the power is transmitted to the impeller pump, which acts as the pumping of liquid in the pump body itself. A static containmet can, called rer casing, located between the two rotors, separates the liquid from the atmosphere, making the pump seal.

### Applications

- Generally this model is ideal for clean liquids slightly contaminated, without particles that can be magnetized;
  - The maximum working pressure of the plant, the allowable temperature and the maximum rotation speed depends on the type of pump and it is specified in the "TECHNICAL DATA" paragraph.
- Other uses are not allowed as the conditions of use stated in the "TECHNICAL DATA" paragraph must be respected in full. Using the pump in a plant or in liquid conditions different from those for which the pump was designed, can lead to dangerous situations to the user.

### TECHNICAL DATA

The pump described in this manual has the following characteristics:

Available in bare shaft configuration or close coupled, with the motor directly mounted in the pump support.

#### CN MAG-MV

- Nozzle: ANSI 300lbs flanged;
  - Max viscosity: 200 cps;
- Max system pressure:
- 52 BAR (standard)
  - 95 BAR (HP version)
  - 152 BAR (special version on request)
- Flow up to 4000 mc/h;
  - Head up to 220 m;
  - Working temperature up to +250 °C (std. Version), from -100°C to +450°C for special version
  - Installed motor power: from 5,5kW to 500kW;
  - Speed: up to 3500 rpm;
  - Weight (pump only): from 46 to 4500 kg;

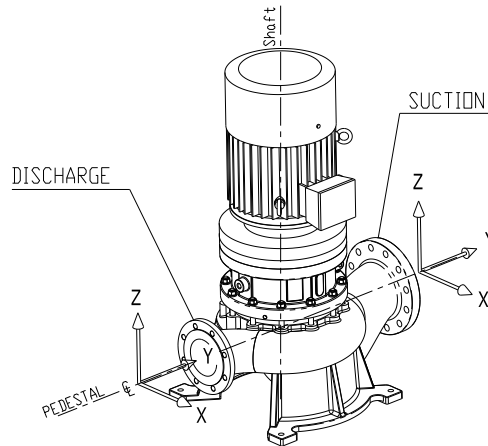
Electric Motor characteristics:	Supply frequency: 50 Hz	Supply frequency: 60 Hz
2 poles	2900 rpm	3500 rpm
4 poles	1450 rpm	1750 rpm

#### CAUTION



- CAUTION: If the pump is driven by inverter, remain within the recommended limits of rotation

## ALLOWABLE NOZZLE LOADS

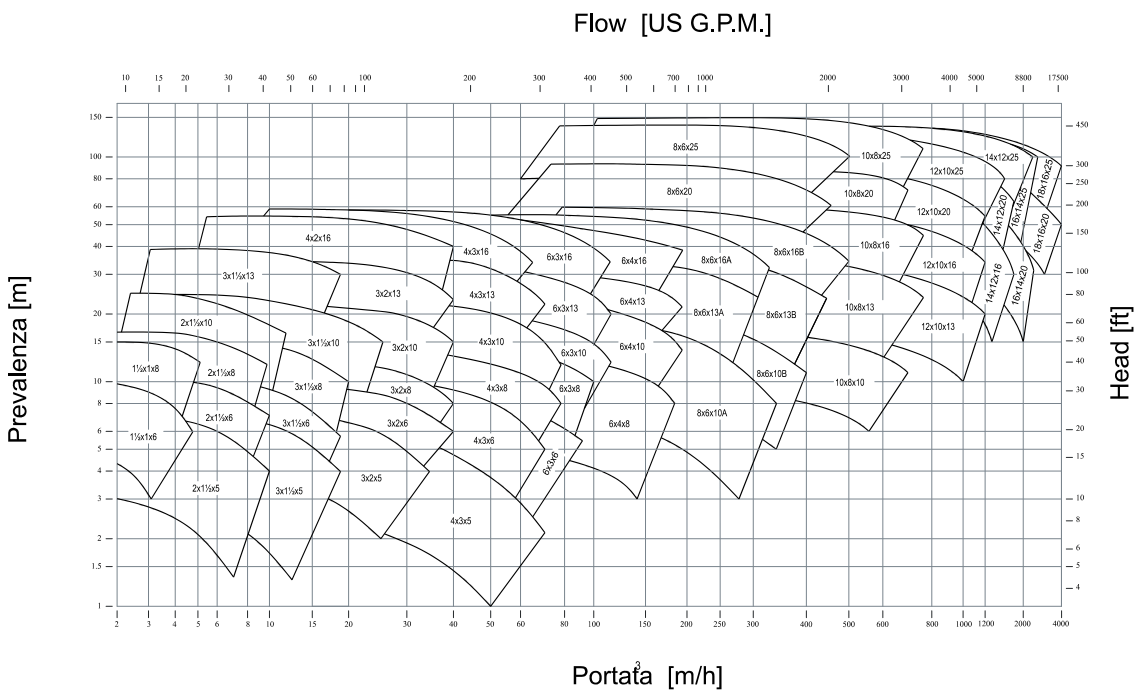


PUMP SIZE	FORCES [N]								MOMENTS [Nm]							
	Fx		Fy		Fz		Fr		Mx		My		Mz		Mr	
	IN	OUT	IN	OUT	IN	OUT	IN	OUT	IN	OUT	IN	OUT	IN	OUT	IN	OUT
1½x1x6	710	710	890	890	580	580	1280	1280	460	460	230	230	350	350	620	620
1½x1x8	710	710	890	890	580	580	1280	1280	460	460	230	230	350	350	620	620
2x1½x5	710	710	890	890	580	580	1280	1280	460	460	230	230	350	350	620	620
2x1½x6	710	710	890	890	580	580	1280	1280	460	460	230	230	350	350	620	620
2x1½x8	710	710	890	890	580	580	1280	1280	460	460	230	230	350	350	620	620
2x1½x10	710	710	890	890	580	580	1280	1280	460	460	230	230	350	350	620	620
3x1½x5	1070	710	1330	890	890	580	1930	1280	950	460	470	230	720	350	1280	620
3x1½x6	1070	710	1330	890	890	580	1930	1280	950	460	470	230	720	350	1280	620
3x1½x8	1070	710	1330	890	890	580	1930	1280	950	460	470	230	720	350	1280	620
3x1½x10	1070	710	1330	890	890	580	1930	1280	950	460	470	230	720	350	1280	620
3x1½x13	1070	710	1330	890	890	580	1930	1280	950	460	470	230	720	350	1280	620
3x2x5	1070	710	1330	890	890	580	1930	1280	950	460	470	230	720	350	1280	620
3x2x6	1070	710	1330	890	890	580	1930	1280	950	460	470	230	720	350	1280	620
3x2x8	1070	710	1330	890	890	580	1930	1280	950	460	470	230	720	350	1280	620
3x2x10	1070	710	1330	890	890	580	1930	1280	950	460	470	230	720	350	1280	620
3x2x13	1070	710	1330	890	890	580	1930	1280	950	460	470	230	720	350	1280	620
4x2x16	1420	710	1780	890	1160	580	2560	1280	1330	460	680	230	1000	350	1800	620
4x3x5	1420	1070	1780	1330	1160	890	2560	1930	1330	950	680	470	1000	720	1800	1280
4x3x6	1420	1070	1780	1330	1160	890	2560	1930	1330	950	680	470	1000	720	1800	1280
4x3x8	1420	1070	1780	1330	1160	890	2560	1930	1330	950	680	470	1000	720	1800	1280
4x3x10	1420	1070	1780	1330	1160	890	2560	1930	1330	950	680	470	1000	720	1800	1280
4x3x13	1420	1070	1780	1330	1160	890	2560	1930	1330	950	680	470	1000	720	1800	1280
4x3x16	1420	1070	1780	1330	1160	890	2560	1930	1330	950	680	470	1000	720	1800	1280
6x3x6	2490	1070	3110	1330	2050	890	4480	1930	2300	950	1180	470	1760	720	3130	1280
6x3x8	2490	1070	3110	1330	2050	890	4480	1930	2300	950	1180	470	1760	720	3130	1280
6x3x10	2490	1070	3110	1330	2050	890	4480	1930	2300	950	1180	470	1760	720	3130	1280
6x3x13	2490	1070	3110	1330	2050	890	4480	1930	2300	950	1180	470	1760	720	3130	1280
6x3x16	2490	1070	3110	1330	2050	890	4480	1930	2300	950	1180	470	1760	720	3130	1280
6x4x8	2490	1420	3110	1780	2050	1160	4480	2560	2300	1330	1180	680	1760	1000	3130	1800
6x4x10	2490	1420	3110	1780	2050	1160	4480	2560	2300	1330	1180	680	1760	1000	3130	1800
6x4x13	2490	1420	3110	1780	2050	1160	4480	2560	2300	1330	1180	680	1760	1000	3130	1800
6x4x16	2490	1420	3110	1780	2050	1160	4480	2560	2300	1330	1180	680	1760	1000	3130	1800
8x6x10	3780	2490	4890	3110	3110	2050	6920	4480	3530	2300	1760	1180	2580	1760	4710	3130
8x6x13	3780	2490	4890	3110	3110	2050	6920	4480	3530	2300	1760	1180	2580	1760	4710	3130
8x6x16	3780	2490	4890	3110	3110	2050	6920	4480	3530	2300	1760	1180	2580	1760	4710	3130
8x6x20	3780	2490	4890	3110	3110	2050	6920	4480	3530	2300	1760	1180	2580	1760	4710	3130
8x6x25	3780	2490	4890	3110	3110	2050	6920	4480	3530	2300	1760	1180	2580	1760	4710	3130
10x8x10	5340	3780	6670	4890	4450	3110	9630	6920	5020	3530	2440	1760	3800	2580	6750	4710
10x8x13	5340	3780	6670	4890	4450	3110	9630	6920	5020	3530	2440	1760	3800	2580	6750	4710
10x8x16	5340	3780	6670	4890	4450	3110	9630	6920	5020	3530	2440	1760	3800	2580	6750	4710
10x8x20	5340	3780	6670	4890	4450	3110	9630	6920	5020	3530	2440	1760	3800	2580	6750	4710
10x8x25	5340	3780	6670	4890	4450	3110	9630	6920	5020	3530	2440	1760	3800	2580	6750	4710
12x10x13	6670	5340	8000	6670	5340	4450	11700	9630	6100	5020	2980	2440	4610	3800	8210	6750
12x10x16	6670	5340	8000	6670	5340	4450	11700	9630	6100	5020	2980	2440	4610	3800	8210	6750
12x10x20	6670	5340	8000	6670	5340	4450	11700	9630	6100	5020	2980	2440	4610	3800	8210	6750
12x10x25	6670	5340	8000	6670	5340	4450	11700	9630	6100	5020	2980	2440	4610	3800	8210	6750
14x12x16	7120	6670	8900	8000	5780	5340	12780	11700	6370	6100	3120	2980	4750	4610	8540	8210
14x12x20	7120	6670	8900	8000	5780	5340	12780	11700	6370	6100	3120	2980	4750	4610	8540	8210
14x12x25	7120	6670	8900	8000	5780	5340	12780	11700	6370	6100	3120	2980	4750	4610	8540	8210
16x14x20	8450	7120	10230	8900	6670	5780	14850	12780	7320	6370	3660	3120	5420	4750	9820	8540
16x14x25	8450	7120	10230	8900	6670	5780	14850	12780	7320	6370	3660	3120	5420	4750	9820	8540
18x16x20	8450	8450	10230	10230	6670	6670	14850	14850	7320	7320	3660	3660	5420	5420	9820	9820
18x16x25	8450	8450	10230	10230	6670	6670	14850	14850	7320	7320	3660	3660	5420	5420	9820	9820

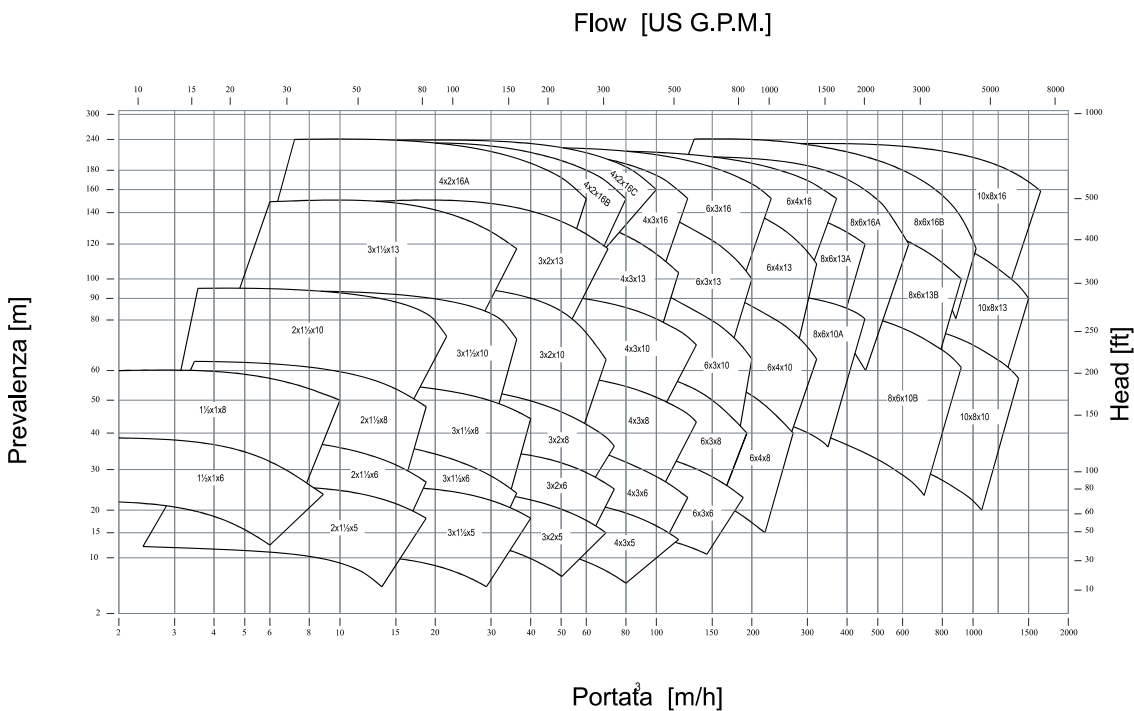


**Operating limits and performances**  
**CN MAG-MV**

Curve N°: 11448	1450 RPM
-----------------	----------



Curve N°: 11449	2900 RPM
-----------------	----------



## **OVERALL DIMENSIONS**

See specific documentation provided with this manual.

## **NOISE AND VIBRATION**

The pump noise depends primarily on the operating conditions. The operating condition of the pump during the measurements is: the coupling of the pump with the electric motor on the bench with pumping fluids.

The A-weighted sound pressure level to front and side of the pump is below 85 dB (A).

## **RADIATION IONISING**

The pump does not emit any kind of ionising radiation that could endanger persons.

## **CHECKS TO PUMP DELIVERY, STORAGE**

All *M PUMPS* pumps are tested before shipment and carefully packed for transport: at the reception of the pump make sure that the pump has not been damaged during the transport. If there are problems, contact immediately the carrier and inform *M PUMPS* about what happened.

So that the pump is preserved over time as best as possible, we recommend storing it away from the sun, bad weather and dust, if not immediately installed or used for long periods.

Stoppers closing the input and output connections of the fluid must not be removed until installation. If provided with electric motor, observe also the motor manufacturer's storage formality.

The maximum allowable temperature range during storage, preservation and use must be between -15 e +40 °C with humidity between 10 e 90%.

## **SHIPPING AND HANDLING**

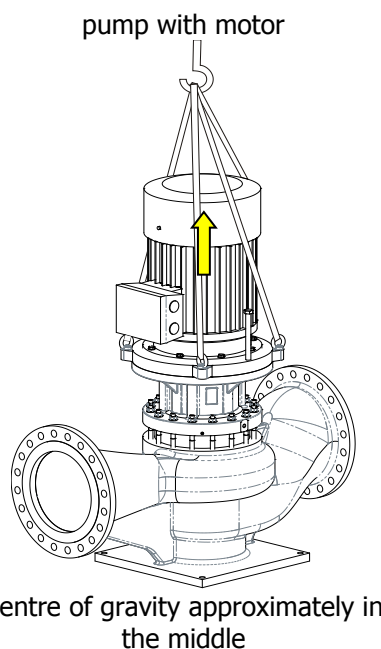
You should carry out a precautionary check of the pump at the receiving to detect and report any damage in the transport and handling operations. In case of breakages contact immediately *M PUMPS*.

The precautions to ensure the stability of the pump concern the possible slips and overturning caused by handling and transport, which must be prevented by setting the pump casing of the pump with ropes to the vehicle frame.

Pump and motor assembly cannot be moved manually due to its high weight.

To move a pump positioned on a pallet, enlarge as maximum as possible the forks and then operate.

For a stable lifting the pump can be lift as indicated in the figures:



These operations must be performed by a trained staff who is informed of the risk of these proceedings.

#### **PROHIBITION**



- It is forbidden to lift the pump using different lugs from the ones specially designed and reported, as points of anchorage.
- You cannot lift a pump and motor assembly using the eye-bolt of the electric motor only.
- During the lifting the entire surrounding area is considered as a danger zone and must be cleared by personnel not engaged in those operations.

It is indicated the possibility of transporting and handling the pump using the lugs designed for that use: you must ensure that chains and shackles are able to withstand the weight of the pump (as shown in "TECHNICAL DATA").

## **ASSEMBLY, INSTALLATION, CONNECTIONS, COMMISSIONING AND SETTING**

### **Assembly**

Install the pump on a solid foundation as close as possible to the liquid to be pumped, below the level, in a position to facilitate maintenance and inspection.

Ensure that the pump doesn't take rough shacks as this may damage the magnets of the internal and external rotor or the silicon carbide bearings.

Ensure that the heated air from other units does not affect the pump; the air temperature must not exceed 40 °C, for higher temperatures contact your distributor *M PUMPS*; ensure also the free circulation of air cooling of at least ¼ the engine diameter, because either the pump or the motor should be able to dissipate the heat by natural air convection. Insufficient cooling could lead to high surface temperatures of the bearings seat, poor lubrication and premature failure of bearings. Useful is the monitoring of the surface bearings' temperature.

It is always responsibility of the operator to keep low the temperature of the liquid so that not to superheat the pump: in case of irregular pressure fluctuations and flow drop turn off the pump.

#### **CAUTION**



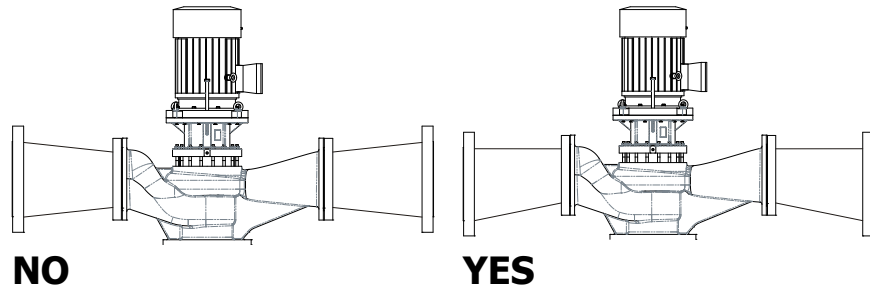
- Normally you should mount the pump horizontally. If mounted vertically or inclined, the pump, or rather the suction flange shall be placed in the lowest point. Leave a space of at least 50 cm between the pump and any walls or pipes.
- When pumping liquid can reach high temperatures: from 60 °C upwards you must install protections to prevent contact with hot pump parts;
- Connect to the ground the entire pump casing to prevent accumulation of static electricity;
- If the pumped liquid can be dangerous to people and environment, the user must take precautions for a simple and quick block in case of leakage for breakage/ replacement/ pump maintenance.

### **Connection of the pump to suction and discharge pipes**

For a proper installation aimed at an optimal use of the pump, you must follow these requirements:

- pipes must be supported and kept in line independently of the pump, until its connections, so that do not load on it;
- connections must not be subjected to stresses during operation;
- the maximum allowable forces and moments on flanges shall not exceed those listed in "technical data";
- inlet pipes should be built with as few restrictions as possible in order to have the highest available NPSH;
- the length of pipes, particularly that of the inlet pipe must be minimized;
- the pipe must be placed so that it is not possible the formation of air traps; if this is not possible, it should be calculated the possibility of bleeding the air from the highest point ;
- in the suction line use full section valves only;

- if the suction pipe is larger than the suction flange, you must use an eccentric reduction to the suction flange, in order to prevent formation of air traps and vortices;



- If there is a possibility that the maximum working pressure can be overcome, for example due to excessive suction pressure, appropriate measures should be taken by including a safety valve in the pipe;
- Avoid using quick-closing valves, because sudden changes of pressure cause water hammer very dangerous for the pump and the pipes;
- Before installing the pump, make sure that the suction line is clean and/or provided with a filter to protect the impeller and the bearings from damages incurred by slag, or other foreign particles, especially when you start the installation for the first time.

### **Electrical connections:**

#### **DANGER**



The pump is **provided with or without electric motor: only qualified personnel** should carry out mechanical connection of the pump to the motor (for the model without motor) and the electrical connections of the motor to the electrical system. Please read carefully the instructions of the manufacturer of the motor or the manual before you complete the installation.

Make sure that the motor doesn't start during maintenance jobs.

### **Checks for the proper operation**

We recommend installing a pressure gauge on both inlet and outlet pipes to allow the operator to easily control the proper pump functioning in relation to the required operating point: in case of cavitation or other malfunctions, there will be obvious pressure fluctuations.

Check the differential pressure of the pump between the suction and discharge connections to verify that it works in the point of work provided.

Check that the absolute pressure at suction is not so low to cause the cavitation.

#### **CAUTION**



The absolute pressure at pump suction (m) must be at least 0,5 to 1 m, the vapour pressure of the pumped liquid, in order to avoid cavitation. Cavitation should always be avoided as it is very dangerous for the structure of the pump. Do not dry run the pump!

### **Commissioning and operator training**

- Fully open the inlet valve and fill the pump and suction line;
- Ensure there are no obstacles to the free rotation of the pump impeller.

The *M PUMPS* series CN MAG-MV **are not reversible** so the rotation cannot be reversed.

The proper direction is **counter** clockwise.

If you put in **front** of the pump casing, an arrow indicates the correct direction of rotation; to reverse the direction of rotation may cause damages to the pump.

- **To control the direction of rotation**, give and immediately remove voltage, then observe the direction of rotation.

### **ROTATION SENSE:**



Make sure that rotating parts, such as flexible coupling or other related organs, are always protected when the pump is running.

Operators using the pump must have read this manual in the sections committed to the functioning, use and maintenance, as well as being qualified to fully understand the features and to be able to identify the problems of the pump.

By carrying out the functions mentioned in the previous section and all controls listed in the register maintenance, the pump is ready for use.

### **Self-priming pumps and non self-priming pumps**

CN MAG-MV pumps are self-priming: Make sure the pump is always filled with the pumping liquid to maintain the self-priming feature. Use a back flow check valve to stop reverse flow when operating with suction lift, dry run should be avoided.

### **Coupling of the pump to the motor**

If the pump and the motor are coupled respect the following sequences to proceed with the installation:

Fill the two elastic coupling halves on the pump and the motor.

Position the pump on the base plate.

Place the motor, insert thicknesses (about 5mm), under the feet, so that the two shafts (pump and motor) are coaxial.

Leave a space of 3mm between the two elastic coupling halves, and then block the motor with the provided screws.

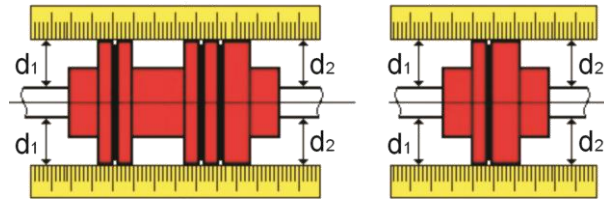
### **Features and installation of pump and motor assembly**

The shafts of the pump and the motor have already been adjusted and aligned as an extension of one another. For installation of the plant it is necessary to respect the sequence of actions:

- The base plate must be affixed to an horizontal plane, using also thickness;
- Tighten the nuts of the bolts;
- Check the shafts alignment and the motor alignment and repeat these actions if necessary (described in the paragraph "Alignment of the coupling").

### **Alignment of the coupling**

- Place a straight edge on the coupling. Insert or remove any thickness necessary to bring the motor at the correct height, so that the bottom edge of the ruler is placed on both halves of the coupling for the entire length;
- Repeat the same check on both sides of the coupling, at the height of the shaft. Turn the motor shaft so that the bottom edge of the straight edge touches both halves of the coupling for the entire length;
- Reinstall the protection.



### **Alignment tolerances and coupling**

The maximum allowed tolerances for the two halves alignment of the coupling, to be verified with the comparator, are:

<b>TYPE OF COUPLING</b>	<b>OFFSET</b>	<b>ANGLE</b>
Short flexible coupling (3000 rpm)	0.05mm	0.04mm for coupling with diameter 100mm.
Flexible coupling with spacer (3000 rpm)	0.07mm for spacer 100mm.	0.04mm for coupling with diameter 100mm.

## **INTENDED USE OF THE PUMP. IMPROPER USE. DESCRIPTION OF FUNCTIONING. PERSONAL PROTECTIVE EQUIPMENT DURING USE.**

### **Intended use of the pump**

The magnetic drive pump, thanks to its decoupling between the pump and the motor, never enters into direct contact with motor parts, providing a friction effect on the impeller of the pump. The pump works correctly if the parameters specified in the paragraph "TECHNICAL DATA" are followed.

### **Instructions for proper use reasonably foreseeable**

Before starting work you must check that:

- All maintenance actions were properly carried out according to the time intervals set by *M PUMPS*;
- There are no damaged parts of the pump;
- All the warning stickers and safety licence plates are present and in good condition and are operating the emergency stop buttons (check through a test).

### **CAUTION**



Do not dry run the pump!

At the start, immediately check the pressure gauge placed in the discharge: if the discharge pressure reaches the nominal value quickly, stop the pump and try starting. Check the pump and piping to make sure that there is no leakage of liquid from the plant. A noisy pump is a symptom of a malfunction that represent a failure in the short term. A very low frequency and with a rumbling can indicate the state of cavitation; an excessive noise of the motor can be caused by a wear of a bearing.

### **Not permitted use**

While maintaining the conditions of use indicated in the paragraph "TECHNICAL DATA", the ways in which the pump should not be used are given here. To avoid damaging the pump, it is forbidden to use it in the following conditions:

#### **PROHIBITION**



- Start the pump dry: the pump casing must be full of liquid.
- Run the pump dry for more than 1 minute;
- Make the pump work with inlet valve and /or outlet closed: the heat generated by the impeller, by magnetic coupling and bearings will boil the liquid, which will cause pump cavitation/vibration, the impeller damaging and the bearings collapse;
- The pump flow should never be adjusted by the valve located in the suction pipe, which must be kept fully open, start and or make the pump work if there are losses;
- Start the pump if there are losses;
- Change working condition of the pump without having consulted the *M PUMPS* technical office;
- loosen the pump connections while under pressure;
- try to clean the pump while it is running;
- run the pump in the opposite direction to that shown in the pump casing;
- run the pump over nominal temperature and pressure;
- pumping liquids containing ferromagnetic particles of any size, or substances that can attack chemically or erode the inside of the pump;
- remove guards and shelters while the pump is running;
- act on electrical parts installed without first removing the tension, not to alter the safety devices installed, do not activate repeatedly the command buttons.

#### **DANGER**



It is incorrect any use of the pump other than that mentioned in the paragraph "Instructions for a proper use reasonably foreseeable".  
*M PUMPS* disclaims any liability damages to things and people related to uses for which the pump was not specifically designed and constructed.

Also the ways in which certain situations of danger might present as a result of improper use, are prohibited.

## **RESIDUAL RISKS AND PROTECTION MEASURES TO BE TAKEN**

### **Description of the residual risks that remain**

Despite adopted measures incorporated in the pump, the main dangers associated with the use of the pump and the solutions identified are the followings:

Danger of sketches projection of process fluid that can be corrosive or burning, as a result of improper installation and sudden ruptures of the pump casing and hydraulic lines;

Danger of cuts to the hands due to the presence of smears on the pump casing;

Explosion of the pump is due to a formation of explosive mixture inside the pump casing as a result of an improper use.

### **Protection measures to be taken by the user and instructions**

#### **PROHIBITION**



**It is absolutely forbidden to the user to tamper with safety devices.** Before using the pump check the proper couplings mechanical protection. Any tampering nullifies the warranty and liability of *M PUMPS* towards the pump users.

Only maintenance personnel can perform maintenance operation affecting safety devices.



### **Personal protective equipment to wear**

Protection measures that have to be taken during this phase are adopting antacid and antistatic coverall, chemical-resistant glasses, gloves to protect from mechanical and chemical agents and safety shoes. Avoid the use of accessories (necklaces, bracelets, etc.) and clothes unshackled; torn or dangling that could get entangled in parts of the structure.

### **OPERATIONAL LIMITS, DESCRIPTION OF HAZARDS NOT EXCLUDED FROM THE SECURITY MEASURES TAKEN**

Dangers that have not been reduced/ eliminated with the security measures adopted on the pump can be reduced/eliminated if operators apply measures on management as a result of having to:

- Keep all the safety warnings of and all plaques and labels intact and replace them when necessary, periodically checking their good condition;
- Don't employ substances which may affect the physical ability or the mental faculty (alcoholic beverages, medicines, drugs, etc);
- Don't use without permission spare parts not identical to the originals or components not approved by *M PUMPS*;
- Don't perform any modification or structural intervention without the approval of *M PUMPS*;
- After shocks accidentally suffered by the pump, check the pump integrity and perform a check to *M PUMPS*;
- After a long period of pump detention check the pump integrity and functionality of stakeholders to wear. If necessary perform the replacement with identical spare parts to the originals.

#### **CAUTION**






Each of the misuse or negligence listed here causes:

- immediate cancellation of *M PUMPS* assistance.
- cancellation of *M PUMPS* responsibility for damage to property, animals or people.

### **Safety information present on the pump**

Safety warnings applied to the pump must be respected and restored in case of illegibility, and are as follow:

Warning	Description signs applied	Symbol/indication	Quantity	Notes
1.	Marking plate <i>M PUMPS</i> .	As described in paragraph "PLATE"	1	1
2.	Label rotation and not run dry indication		1	2
3.	Hydro-test label		1	3
4.	Label quality control assembly		1	Internal use



## INSTRUCTIONS AND PROCEDURES FOR THE TRAINING OF THE PERSONNEL AND FOR EMERGENCIES

Operators responsible for the various life stages of the pump must be:

- for assemblers: staff formed and trained on good practices for handling of goods with the use of tools and lifting equipment;
- for installers of pipes and electrical connections: qualified and trained staff to operate on electrical plants, staff with experience in hydraulic installations;
- for users: professional staff trained in the instruction for use of this pump.

In case of emergency:

- alert who is close to the situation of danger, even waving his arms;
- stop the pump by pressing the nearest emergency stop button;

### **Recovery mode**

To return to normal operating conditions, you must delete all the causes that have generated the emergency, possibly repairing or replacing the components that caused the failure.

#### **CAUTION**



After the intervention of security devices, you must find the cause of action before continuing operations.

### **Fire-fighting equipment to be used:**

In case of fire involving the pump, you can use water or foam liquid only after removing the voltage, or a powder type fire extinguisher with extinguishing agent. Do not use CO2 as being launched at -79 ° C may react violently with the hot parts.

### **Emission / dispersion of harmful substances**

The fluid in the plant might be released in the atmosphere following an intervention or the pump break.

## **MALFUNCTIONING, FAILURE, BREAKDOWN, ACCIDENT. MOST FREQUENT PROBLEMS: CAUSES AND REMEDIES**

There aren't pump details which provide such cases of malfunctioning as to restrict or make its use dangerous. In paragraph "Most frequent drawbacks: causes and remedy" is discussed with more details in this section.

### **Malfunctioning and Failure**

In case of failure of mechanical parts you must immediately restore the original terms of security by replacing or repairing the parts that have deficiencies.

In case of failure of the pump, proceed as follows:

- Turn the motor off;
- close the inlet and outlet valves;
- find the cause of the failure by checking the section " Most frequent drawbacks: problems, causes, remedies, residual risks".

The failure of a pumping plant can be attributed to:

- a pump failure;
- a failure or defect in the pipe;
- a failure due to an installation or a start not correctly executed;
- wrong choice of pump.

### **Breakdown**

In the event of failure of pump alert verbally the staff present in the nearness of the damage that is verifying.

### **Accident**

In case of accident, you must report the emergency to the plant responsible for the installation, in order to secure the plant to reach with the emergency team the place where the accident happened.

**Most frequent drawbacks: problems, causes, remedies, residual risks**

**INSUFFICIENT FLOWS**

**Causes**

The head requested exceeds the pump head expected.

**Remedies / actions to be taken**

Increase the speed rotation if possible.  
 Mount an impeller of greater diameter  
 Reduce the total head of the system if possible.  
 Increase the diameter of the discharge pipe.  
 Check that the discharge valve is fully open.  
 Replace the pump.  
 Ask your *M PUMPS* distributor.

The pump rotates in the opposite direction.

Check the direction of rotation.  
 Refer to section 3.5 of this manual

Air or steam trapped in the suction.

Check the presence of air or steam trapped. Refer to section 3.4 of this manual.

The liquid contains air or steam. The liquid produces foam.

Check the presence of vortices in the suction line. Enter some in the fuel tank to prevent the formation of vortices.  
 Install a tank of sufficient capacity in the suction line to allow gas to drag.

Insufficient inlet pressure, with the generation of cavitation and loss of efficiency.

Increase the static height at the suction.  
 Check that the intake is not blocked or are no bottlenecks.  
 Reduce the liquid temperature. Increase the diameter of the intake pipes.  
 Reduce the length of inlet pipes. Open completely the inlet valve. Check the viscosity of the liquid; refer to "technical data" section of this manual, increase the temperature of the liquid if necessary.

Wear ring, wear pump casing or impeller.

Check the condition of rotating ring wear and collar. Replace if worn; refer to Chapter 10 of this manual.

The temperature of the liquid is close to boiling point

Reduce the liquid temperature.

**NO FLOW**

**Causes**

**Remedies / actions**

The pump is defused

Re-prime the pump. Refer to section 3.5.1 of this manual.  
 Check for air leaks in the suction line

Suction line blocked

Ensure that there are no blind pipes, obstructed or valves closed.

The magnetic coupling decouples	Reduce the flow: partially close the discharge valve. Reduce the density of the liquid, if possible. Reduce the prevalence of the pump (check in advance with your distributor <i>M PUMPS</i> ). Make sure the pump turns freely; inspect the inside in case this does not happen. Reduce the engine power installed (check in advance with your distributor <i>M PUMPS</i> ). Adopt star-delta starting.
The motor stopped	Check the power of the motor. Check the status of the motor.

### EXCESSIVE FLOW

Causes	Remedies / actions
The head required is lower than that provided by the pump	Reduce the speed of rotation, if possible; reduce the impeller diameter; partially close the discharge valve.

### OVERHEATING OR MOTOR STOP

Excessive pumped liquid density	Reduce the flow by closing the valve outlet partially
The pump has seized or is about to seize.	Check the free rotation of the impeller. Check for internal obstructions.
The motor and pump are misaligned	Refer to section 3.8 of this manual
The motor bearings are damaged or worn.	Replace the motor bearings, investigate the causes of breakage.
Motor under dimensioned	Mount a more powerful motor (check in advance with your distributor <i>M PUMPS</i> ).
Motor overload threshold set incorrectly	Check the security settings of the motor
The guard against the motor dry running (where present) has failed or has been set incorrectly.	Control flow decreases or fluid intake.

### FUNCTIONING WITH NOISE DEFECTS AND/OR VIBRATIONS

Causes	Remedies / actions
--------	--------------------

Insufficient inlet pressure, consequent cavitation, insufficient lubrication of the bearings (with mechanical damages if the condition persists).

Refer to paragraphs 3.4, 3.5, 4.1, 4.2, 4.3 of this manual

**STOP IMMEDIATELY THE PUMP!**

Wear, erosion and immediate damage to the impeller and internal bearings.

Check inside the pump damages or obstructions.

Wear of the coupling motor-pump

Replace the coupling and proceed to the realignment of pump and motor.

Ball bearings or motor failure.

Check and replace them if necessary.

Uninsured motor or base plate.

**Make sure that the motor and base plate are firmly anchored to foundations and do not produce any abnormal vibration.**

Misalignment or improper anchoring of the pipes.

Check correct alignment of pipes and supports, refer to section 3.2 of this manual.

The pump was started while still rotating in the opposite direction, for a previous start.

Stop immediately the pump and drain all the liquid from the discharge line before restarting.

#### OVERHEATING OF EXTERNAL BEARINGS (bare shaft versions)

Lack of oil or wrong type of oil in the bearing frame.

**Check the oil level: fill up or empty, and replace it if necessary. Replace the bearings.**

Excessive oil temperature into the bearing frame.

Fill the bearing frame with oil as indicated in the paragraph to restore the correct working temperatures.

## PERIODIC AND EXTRAORDINARY MAINTENANCE


Proper maintenance and use are essential factors to ensure the functionality and pump lifetime.

### Cleaning components and magnet

To clean all surfaces of the couplings and centering surfaces, use possibly methyl alcohol. Use paper towels instead. Do not use solvents and other corrosive liquids on magnet to avoid damaging it; any dirt can be removed from the magnets by using gummed paper. Do not hack or put pressure on the magnet during its handling, it would cause them, damages because of their fragility.

### **Periodic preventive maintenance**

Instructions relating to maintenance activities whose implementation do not require specific skills that can then be made by users of the pump, are given. They are operations and inspections planned on issues considered important for technical, operational and security staff, determined on the basis of the knowledge gained from *M PUMPS*. If the hydraulic pump is washed with jet in pressure, prevent the entry of water into the terminal of the motor.

	<p><b>DANGER</b> Do not throw water on the pump hot components: components can explode in case of sudden cooling generating projection of metallic material and leakage of hot fluid in pressure and hazardous to health. Do not give strokes and pressures on the bearings, you would cause the formation of micro-cracks which can cause serious damages.</p>
---	---

N.	<b><u>Description control / intervention: implementation rules</u></b>	<b>Warnings and protective measures be taken to perform the maintenance properly and safely</b>	<b>Time</b>
1	Ball bearing frame	Top up the oil until the middle of the eye plug	Weekly. Replace oil every 5,000 hours.
2	Internal bearings	Check the status of bushings, sleeve bearings and thrust bearings, replace them if worn	After 2500 hours, check any premature wear, then every 5,000hours or every year.
3	Wear rings	Check the status of the wear ring, consult the table of tolerances	After 2500 hours, check for premature wear, then every 5000 hours or every year.
4	Motor bearings	Unless other specifications, motor bearings are greased for life, so there is not a maintenance schedule, anyway it is recommended to check the condition of the bearings and replace them when worn	

**RECOMMENDED: (TABLE OILS for ambient temperatures exceeding 15 ° c, by classification ISO VG 68)**



**CAUTION**

BP HPL 68  
 CHEVRON EP industrial oil 68  
 Texaco Rando Oil HDC 68  
 TOTAL Azolla 68  
 Shell Tellus 68  
 Mobil DTE Heavy Medium ISO 68  
 STATOIL HYDRAWAY HV 68  
 Esso Teresso 68 / AGIP OSO 68

In **Appendix A** is a list of periodic maintenance and inspections to be completed each time you perform such operations.

### **Emptying of the fluid contained in the pump**

Before disassembling, you must empty the liquid from the pump according to the following steps:

- Close the valves present in the inlet and outlet pipes, and in the cooling pipe;
- Unscrew the drain plug;
- When emptied, screw the drain plug again.

If hazardous to health liquids are pumped, wear suitable personal protective equipment.

### **Draining the oil contained in the pump**

If the pump is lubricated with oil (bare shaft versions):

- remove the oil drain plug;
- drain the oil and collected it without dispersing into the environment;
- replace the drain plug .

If there are fluids hazardous to health, wear personal protective equipment suitable before coming into contact with the liquid.

### **Extraordinary maintenance**

The extraordinary maintenance operations concern the activities that are beyond those typically programmable and executable; they require precise technical expertise by qualified personnel, and then you should contact *M PUMPS*. Delivery is the one shown in the header of every page of this manual.

#### **DANGER**



If it becomes necessary to disassemble the pump, you must remember that the liquid should be collected and disposed in accordance to existing environmental laws. If the pump should be sent to *M PUMPS* it must be drained, and should not contain any traces of liquid pumped.

## **REPAIR AND PARTS REPLACEMENT**

**The pump must always be kept in optimum conditions of operation.**

Most of the spare parts have clear and comprehensive references for their identification. It is important that the spares are replaced by similar ones so that they can be considered equivalent in quality and safety: to order original spare parts, contact *M PUMPS* referring to the model of the pump, employee number, description of the component and the quantity needed.

When you see elements with rust, cracks, etc, you must perform all replacements/repairs necessary to re-establish the conditions of the pump safe working. In any case you should always ask an opinion *M PUMPS* before any intervention.

### **The periodic maintenance specified in the " PERIODIC AND EXTRAORDINARY MAINTENANCE"**

To allow a smooth running for a long time is necessary to make the required maintenance.

Operators should make frequent visual inspections to check that the pump is running smoothly without noise or vibration, and that the discharge pressure is holding steady, without fluctuation, at the correct figure. Overheating of the pump or motor bearings is cause for alarm. The bearing housing should not be more than 50°C above ambient temperature, nor should it exceed 80°C (too hot to touch) in any event. If the bearings overheat, shut the pump down immediately, investigate the cause, and take corrective action.

### **Pump disassembling**

If the pump has pumped hot liquids, make sure that it has been cooled before disassembly. The pump may have pumped liquid hazardous to health is therefore necessary to wear personal protective equipment.

Before to proceed with disassembling, follow carefully the decommissioning instructions, at paragraph 20.2.

The activities of disassembly and maintenance of the pump should be conducted in full compliance with current health and safety regulations. Some spare parts may have potential health risk to the operators:

#### **CAUTION**



*M PUMPS* disclaims any liability for damage to property and people and will invalidate the warranty if you install non original.

#### **MAGNETIC**

The pumps built by *M PUMPS* contain extremely strong magnets. The use of tools and



work surfaces not ferromagnetic is highly recommended. The department in which you perform maintenance must be clean and free of iron particles that may be attracted by magnets.

**Pay attention to the strong magnetic attraction** when you work in proximity of the internal or external magnets. Tools can be strongly attracted by magnets, or slip from the hands causing damages to fingers and hands, moreover, the magnets maybe strongly attracted by ferromagnetic devices present in the area.

For dismantling and maintenance instructions, refer to specific documentation.

### **Pump reassembling**

To reassemble the pump, follow maintenance procedure (enclosed.....) in reverse order. Clean each component before assembly; make sure that all parts are free from dirt, metallic particles, etc.

#### **CAUTION**



During the first assembly, or reassembly of the pump, it is recommended to apply the low strength thread locker (AREXONS 52A22 - LOCTITE 222 or equivalent) on the locking nut of the external magnet to prevent unscrewing problems.

## **DECOMMISSIONING, DISMANTLING AND DISPOSAL OF MATERIALS**

### **Decommissioning**

For an eventual long time decommissioning, it is advisable to apply some simple precautions to preserve correctly the pump.

Make the pump run with clean water (or other suitable solvent compatible with the materials of the pump) for several minutes, in order to avoid the risk of liquid precipitation or deposits. Disconnect from the electric power / liquid supply and place it in a protected site.

During the commissioning after a long period of stocking, carefully follow all recommendations for commissioning described at paragraph 3.5 of this manual.

#### **CAUTION**



A good stocking will guarantee against unpleasant incidents during the restarting of the pump. *M PUMPS* disclaims any responsibility for machines stored incorrectly. If you intend to stop using this pump it is recommended to make it inoperative.

### **Demolition and dismantling**

The user must comply with the legislation on environmental conservation and will have to deal with the disposal and elimination of materials and harmful substances of the pump components. It is recommended to destroy the identification plates of the pump and any other document.

## **EXPLODED VIEW PART LIST**

See attached documents.





## APPENDIX A – Register of maintenance and periodic checks of the pump

It is provided a list of maintenances to be carried out and their respective ranges; you must register these operations.

Commissioning date: \_\_\_\_\_

<b>Main maintenance operations to be performed by the second year of use onwards:</b>			
N.	<u>Required check</u>	Warnings and protective measures be taken to perform maintenance properly and safely	Range
1	Check oil level at bearing frame	Top up the oil until the middle of the eye plug	Weekly. Replace the oil every 5000 hours.
2	Internal bearings	Check the condition of bushings, sleeve bearings and thrust bearing if worn replace them, reassemble using new gaskets	After 2500 hours, check any premature wear, then every 5,000 hours or every year.
3	Wear ring	Check the status of the wear ring, see the table of tolerances	After 2500 hours, check any premature wear, then every 5,000 hours or every year.
4	motor bearings	Unless other specifications, motor bearings are greased for life, so there is not a maintenance schedule, anyway it is recommended to check the condition of the bearings and replace them when worn	

DATE	DESCRIPTION OF OPERATION (report the numbers associated with intervention and any operations carried out in addition)	OPERATOR SIGNATURE

**APPENDIX B – Startup check list**

	<b>PUMP SERIES CN MAG-MV</b>	
	- Do not destroying – do not modify -	Rev. N°00 Date 21/02/2013
	<b>STARTUP CHECK LIST</b>	This document consists of 2 pages

Nr.	Description of activity	YES / ✓	NO / x
<b>*UPON ARRIVING CHECKS:</b>			
1	Check Pump Name Plate , Motor Name plate to tally with PO and Data Sheet		
2	Any Cracks or damages to Pump or motor during shipment or handling		
3	Check accessories if ordered to tally with PO		
4	Are Installation, Operation and Maintenance Manuals for Pump, Motor and Coupling supplied?		
5	Have you received the Pump Curve, GA Drawing, Pump Data Sheet, Motor Data Sheet and Wiring Diagram?		
6	Have you read through and understand the IOM manuals?		
<b>*INSTALLATION CHECKS:</b>			
1	Has the Pump's baseplate being properly level and firmly secured?		
2	Has the Pump and motor coupling being secured and aligned?		
3	Are Suction and Discharge Pipe line with Flexible Joints being Supported and Secured?		
4	Any undue Pipe loading onto Pump inlet/Outlet Nozzle due to Mis-alignment		
5	Is Suction Strainer being installed to protect the Pump?		
6	Are Suction and Discharge Pressure Gauge being installed before Pump's Inlet and Outlet?		
7	Is there any Check Valve being installed at Pump's discharge Outlet?		
8	Has the Power supplied for Electrical Motor being connected by qualified electrical personnel?		

9	Have the Pump Bearings been filled with recommended Lubricating Oil and to the stated level (For Long Coupled Pump)?		
10	Have the motor Bearings been greased if required?		
<b>* PRE START-UP</b>			
1	For High /Low Temperature Pumping application , has the pump been warmed up to required Temperature?		
2	Can the Pump shaft turns freely by hand?		
3	Fully Open the Suction Valve.		
4	Partially Open the Discharge.		
5	Ensure Suction line is Filled and the Pump been Primed of entrained Air.		
6	Jog Start the motor, Verify that the direction of rotation is correct.		
<b>* AFTER START-UP</b>			
1	Start the pump set and be sure that the discharge pressure is building up( stop the pump if discharge pressure is not building up in short time and check the possible causes		
2	Throttle or Set Discharge Valve to designed Duty Point. (Pressure and Flow Rate)		
3	Reading of Suction Pressure ( ) Discharge Pressure ( ) and Flow Rate ( ).		
4	Are the Suction and Discharge Pressure Gauge Stable?		
5	Check Pump bearing and motor bearing temperatures are stabilized below 82 deg C.		
6	Amperage reading does not exceed nameplate full load amps plus S.F.		
7	Checked no abnormal temperature and leakage.		
8	Checked no abnormal pump vibration and noise.		

9	Under Normal Condition, continuously run the pump under observation for one or two hours.		
<b>COMMENTS/REMARKS:</b>			

<b>INSTALLATION REFERENCE:</b>			
PROJECT:		CONTACT:	
CONTRACTOR:			
ADDRESS:			
PHONE NO:		FAX:	
PUMP MODEL NO:		SERIAL NR:	
MOTOR TYPE:		IMPELLER DIAMETER:	
START-UP BY:		FOLLOW UP REQD:	
DATE:		SIGNATURE:	

**Please send this document, duly completed, to the e-mail: [info@mpumps.it](mailto:info@mpumps.it), or by FAX at: +39 0426 349126**









M PUMPS s.r.l. - Via dell'Artigianato, 120  
45015 Corbola (Ro) - Italy - [www.mpumps.it](http://www.mpumps.it)  
Tel. +39 0426 346304 - Fax +39 0426 349126

A unit of  
**Mischiatti**  
GROUP

